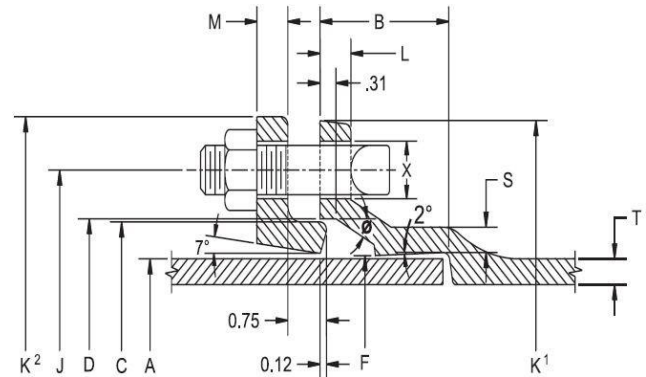




C153 MECHANICAL JOINT FITTINGS

Specifications

- Sizes: 2" - 64" (2" not included in ANSI/AWWA C153 standard).
- Design Standard: ANSI/AWWA C153/A21.53, NFPA13/24, 3"-16" UL and 3"-10" FM listed & approved
- Material: Cast of ASTM A536 qualified ductile iron. Date code is cast on and required for traceability.
- Pressure Rating:
 - Flanged fittings rated at 250 psi. Mechanical joints 2" – 24" rated at 350 psi and 30" – 48" at 250 psi.
 - Note: With rubber annular ring flange gasket, 2" – 24" Flanged fittings can be rated at 350 psi.
 - Note: Wyes over 12" are not pressure rated.
- Deflection: Joint deflection 5° max for 2"– 12" and 3° max for 14"– 48". Reduces by 50% at nominal pipe & fitting diameters
- NSF-61 & NSF372.
- Asphalt Coating: Per ANSI/AWWA C104/A21.4 and ANSI/AWWA C153/A21.53.
- Cement Lining: Per ANSI/AWWA C104/A21.4, with double cement lining available upon request.
- Epoxy Coating: Fusion bonded epoxy per ANSI/AWWA C116/A21.16. Additional coatings available upon request.
- Bare Fittings: Available upon request.
- Fasteners: High strength low alloy weathering steel per ANSI/AWWA C111/A21.11 and ASTM A242.
- Installation: Install per AWWA C600/C651 using pipe conforming to ANSI/AWWA C151/A21.51 or AWWA C900/905.



Dimensions (inches)

NOMINAL JOINT DIMENSIONS (inches)

BOLTS

SIZE	Ø A DI Pipe	B Hub Depth	Ø C GLAND	Ø D	Ø F	Ø J GLAND	Ø K ₁	Ø K ₂ GLAND	L	M GLAND	S	T	X	SIZE	Qty.
2	2,51	2,50	3,50	3,60	2,61	4,75	6,19	6,89	0,58	0,62	0,36	0,30	3/4	5/8 x3	2
3	3,96	2,50	4,84	4,94	4,06	6,19	7,62	7,69	0,58	0,62	0,39	0,33	3/4	5/8 x3	4
4	4,80	2,50	5,92	6,02	4,90	7,50	9,06	9,12	0,60	0,75	0,39	0,34	7/8	¾ x3 -1/2	4
6	6,90	2,50	8,02	8,12	7,00	9,50	11,06	11,12	0,63	0,88	0,43	0,36	7/8	¾ x3 -1/2	6
8	9,05	2,50	10,17	10,27	9,15	11,75	13,31	13,37	0,66	1,00	0,45	0,38	7/8	3/4 x4	6
10	11,10	2,50	12,22	12,34	11,20	14,00	15,62	15,62	0,70	1,00	0,47	0,40	7/8	3/4 x4	8
12	13,20	2,50	14,32	14,44	13,30	16,25	17,88	17,88	0,73	1,00	0,49	0,42	7/8	3/4 x4	8
14	15,30	3,50	16,40	16,54	15,44	18,75	20,31	20,25	0,79	1,25	0,55	0,47	7/8	3/4 x4-1/2	10
16	17,40	3,50	18,50	18,64	17,54	21,00	22,56	22,50	0,85	1,31	0,58	0,50	7/8	3/4 x4-1/2	12
18	19,50	3,50	20,60	20,74	19,64	23,25	24,83	24,75	1,00	1,38	0,63	0,54	7/8	3/4 x4-1/2	12
20	21,60	3,50	22,70	22,84	21,74	25,50	27,08	27,00	1,02	1,44	0,69	0,57	7/8	3/4 x4-1/2	14
24	25,80	3,50	26,90	27,04	25,94	30,00	31,58	31,50	1,02	1,56	0,75	0,61	7/8	3/4 x5	16
30	32,00	4,50	33,29	33,46	32,17	36,88	39,12	39,12	1,31	2,00	0,82	0,66	1-1/8	1 x6	20
36	38,30	4,50	39,59	39,76	38,47	43,75	46,00	46,00	1,45	2,00	1,00	0,74	1-1/8	1 x6	24
42	44,50	4,50	45,79	45,96	44,67	50,62	53,12	53,12	1,45	2,00	1,25	0,82	1-3/8	1-1/4 x6 -1/2	28
48	50,80	4,50	52,09	52,26	50,97	57,50	60,00	60,00	1,45	2,00	1,35	0,90	1-3/8	1-1/4 x6 -1/2	32